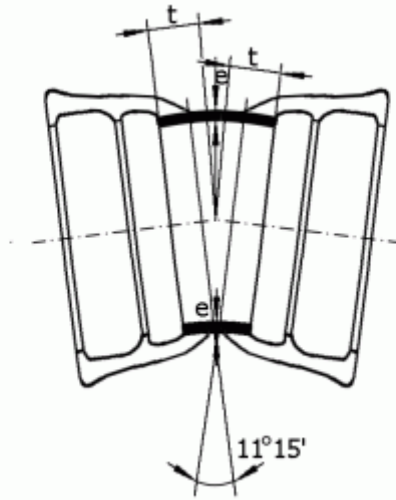




●Type T Double Socket 11.25° Bend



K=12

Unit: mm

DN	e	t	Weight (kg)
80	7.0	30	7.1
100	7.2	30	8.9
150	7.8	35	14.8
200	8.4	40	22.0
250	9.0	50	30.5
300	9.6	55	40.5
350	10.2	60	52.0
400	10.8	65	65.0
450	11.4	70	85.3
500	12.0	75	96.0
600	13.2	85	134.0
700	14.4	95	181.0
800	15.6	110	239.0
900	16.8	120	305.0
1000	18.0	130	381.0
1100	19.2	140	512.7
1200	20.4	150	568.0